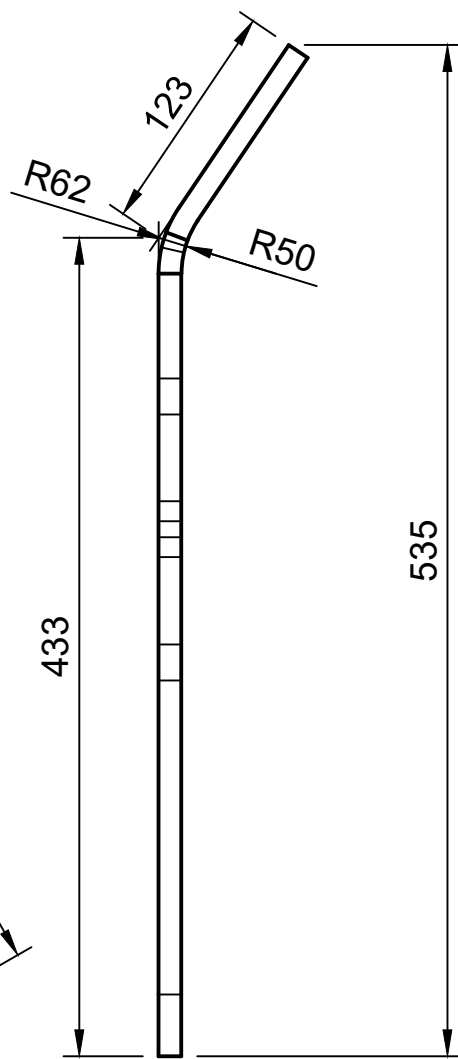
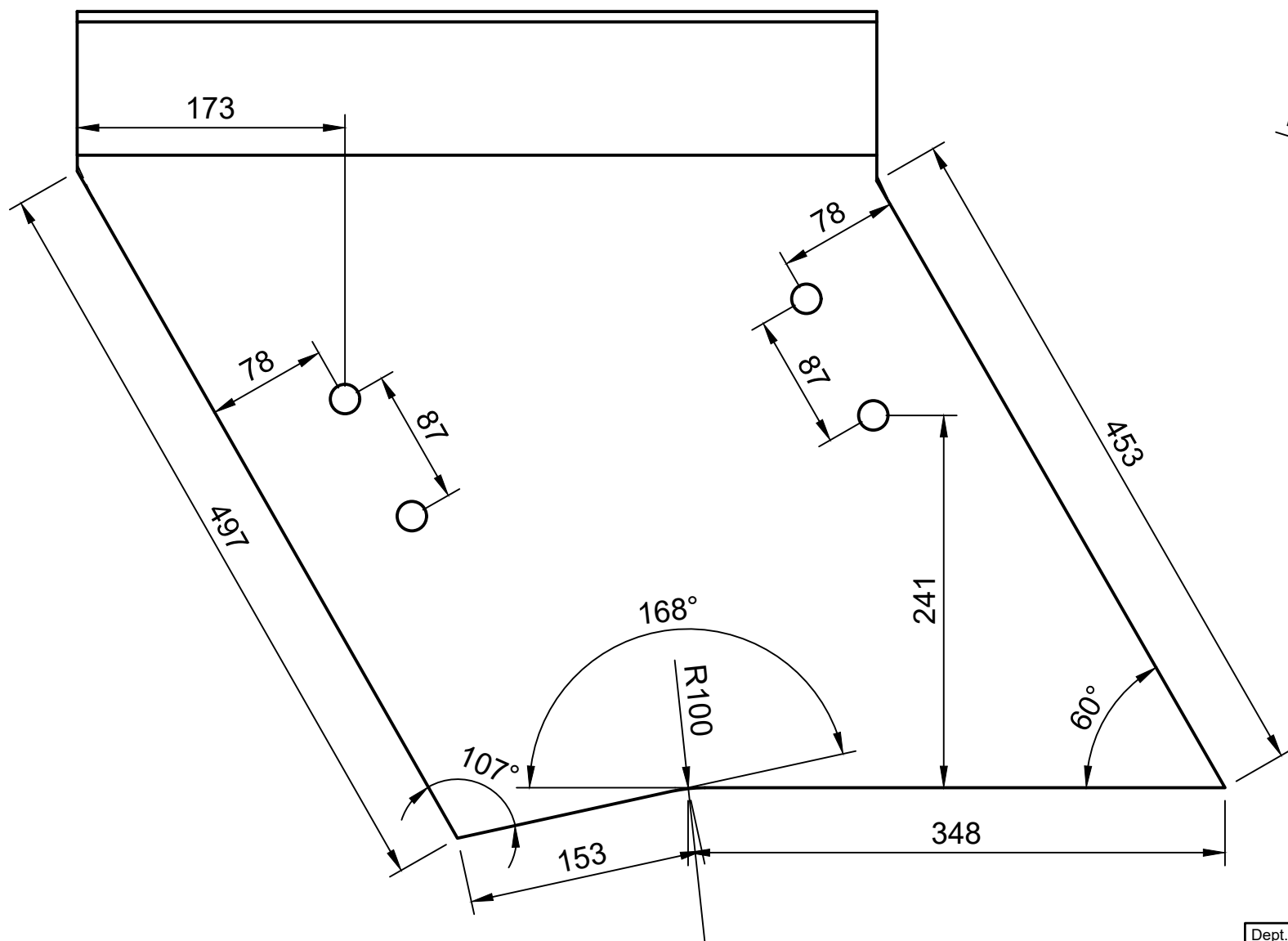
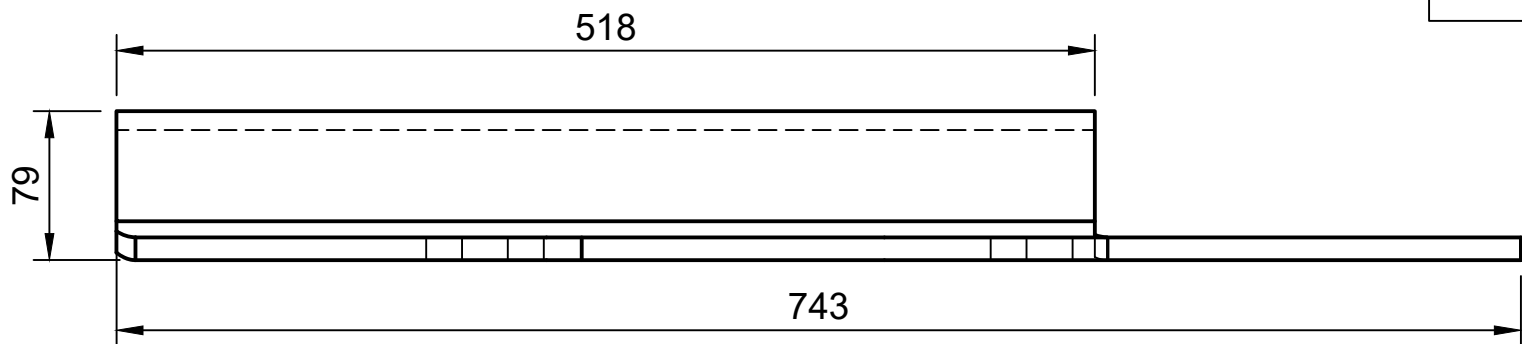


Specification				
Qty	Serial number	Part name	Material	Weight
1	POS-9	Side wear plate left	CR 4800	25.3 kg



Dept.	Technical reference	Created by	Approved by
SCALE 1:4		Document type	Document status
		Title	DWG No.
		Užsakovas	
		UAB "Vilniaus kogeneracinė jėgainė"	
Rev.	Date of issue	Sheet	1/1